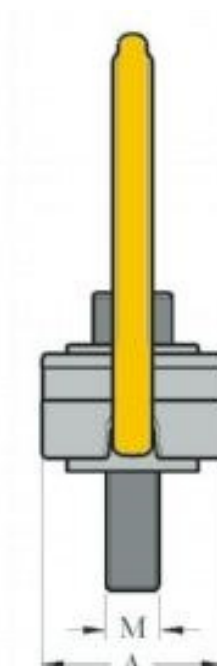
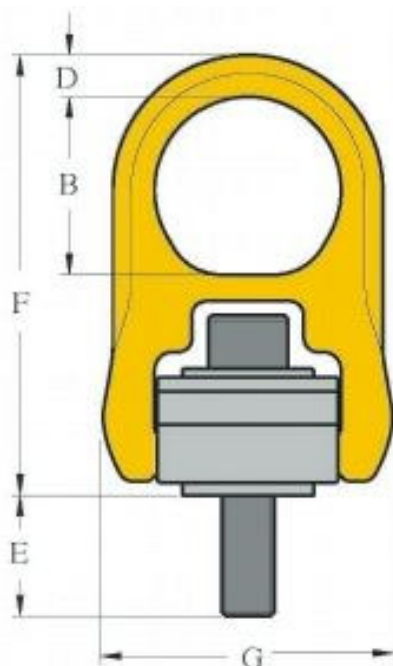


Vázací bod YOKE



Working Load Limit		Thread	Dimensions(mm)						Torque in	N.W.
tonnes*	M		A	B	D	E	F	G		
5:1	4:1								Nm	kg
0.40	0.50	M8x1.25	40	41	9	17	102	65	10	0.4
0.45	0.55	M10x1.5	40	41	9	11	102	65	16	0.5
0.45	0.55	M10x1.5	40	41	9	26	102	65	16	0.5
1.05	1.30	M12x1.75	65	64	15	15	158	105	38	1.7
1.05	1.30	M12x1.75	65	64	15	30	158	105	38	1.7
1.90	2.40	M16x2	65	64	15	20	158	105	81	1.8
1.90	2.40	M16x2	65	64	15	35	158	105	81	1.8
2.15	2.70	M20x2.5	65	64	15	25	158	105	136	1.8
2.15	2.70	M20x2.5	65	64	15	45	158	105	136	1.9
3.00	3.75	M20x2.5	85	79	19	25	204	134	136	4.0
3.00	3.75	M20x2.5	85	79	19	45	204	134	136	5.2
4.20	5.25	M24x3	85	79	19	26	204	134	312	4.2
4.20	5.25	M24x3	85	79	19	56	204	134	312	4.3
7.00	8.75	M30x3.5	100	100	25	81	241	160	637	6.6
11.00	13.75	M36x4	120	111	30	76	286	194	1005	15.0
12.50	15.60	M42x4.5	120	111	30	65	286	220	1005	16.0
13.50	16.90	M48x5	120	111	30	70	286	220	1350	16.0
15.50	19.40	M56x5.5	138	109	34	79	308	241	1350	19.1
22.30	27.90	M64x6	138	100	38	98	312	241	2847	23.0